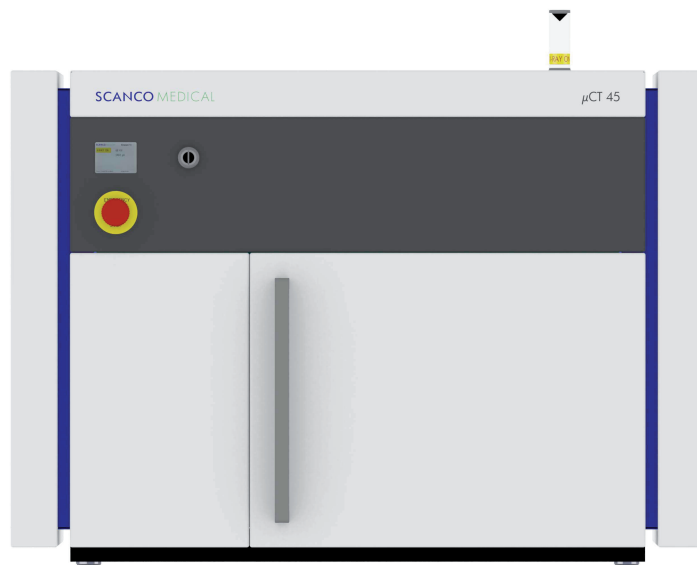


# $\mu$ CT 45 - $\mu$ CT 90

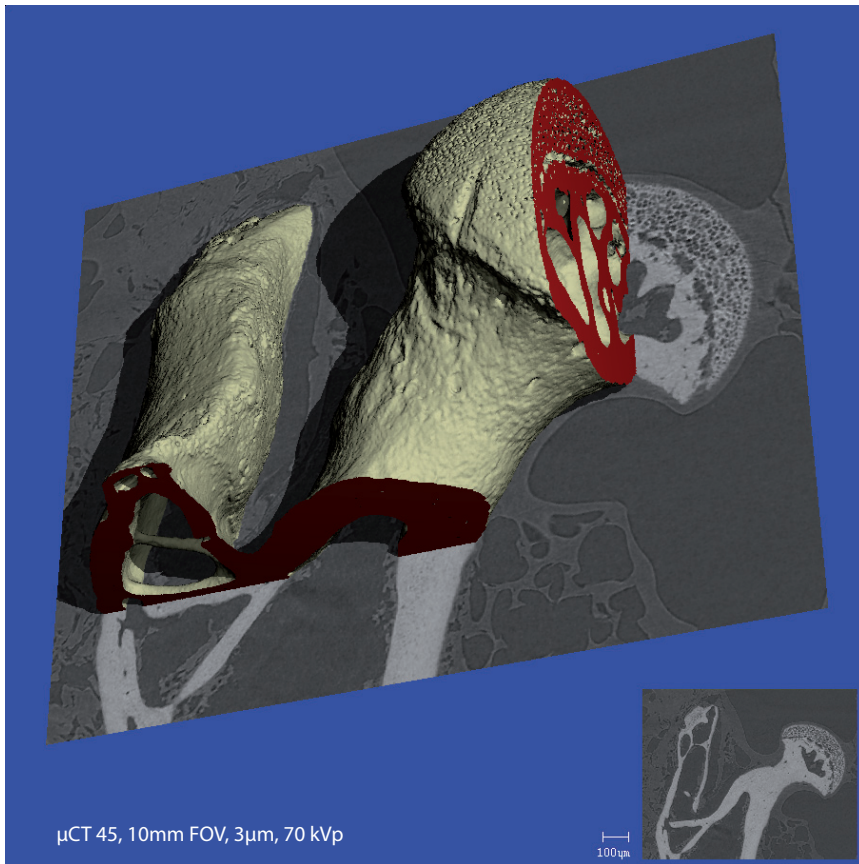
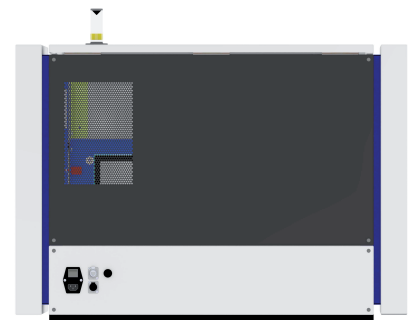
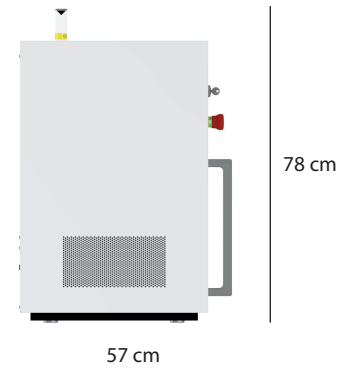
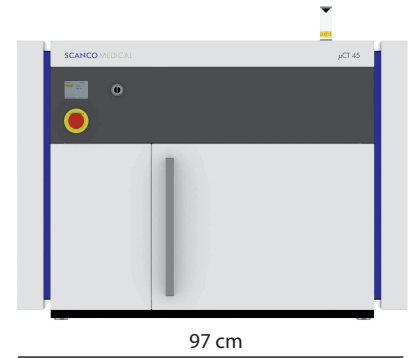


**SCANCO** MEDICAL

# Specifications

## Systems

	μCT 45	μCT 90
Geometry	Cone-Beam	Cone-Beam
Peak Energy	30-90 kVp	30-90 kVp
Focal Spotsize	5/7 μm (@4/8 W)	5/7 μm (@4/8 W)
Filter Changer (3 positions)	optional	optional
Scan Diameter	10-50 mm	10-90 mm
Max. Scan Length / Height	120 mm	120 mm
Max. Sample Ø / Height	90/120 mm	90/120 mm
Automatic Sample Changer	up to 20 holders with multiple specimens up to 9 cm Ø	up to 16 holders with multiple specimens up to 9 cm Ø
Resolution (Nominal /10% MTF)	1.25 μm / <5 μm	2.2 μm / <8 μm
Image Matrix :	from 512 x 512 to 8192x8192	512 x 512 to 8192x8192
Options:	compression/tension and cooling device	



## Computing

HP Integrity Server, 64 bit	rx2800
RAM	32 to 368 GB
CPU/cores	1 to 2/4 to 16
Disks	5 TB to multiple TB
Optional GPU for reconstruction	HP Z4/Z8 with Pascal GPUs
Clustering of multiple rx2800 possible to enhance throughput	



SCANCO Medical AG  
 Fabrikweg 2  
 8306 Brüttisellen  
 Switzerland  
 tel +41 44 805 98 00  
 fax +41 44 805 98 01

SCANCO USA, Inc.  
 985 Old Eagle School Road, Suite 511  
 Wayne, PA 19087  
 USA  
 tel 610 688 1440  
 fax 610 688 4976

